



Key Features

- Expands virtually any home theater/multi-zone receiver into a distributed audio system.
- Six keypad inputs to provide power and communication.
- Two RS-232 ports for bi-directional communication.
- Compatible with RTI ZM-24 Zigbee® Transceiver Module for two-way communication.
- Preprogrammed RS-232 drivers for popular multi-zone receivers.
- Three programmable 12VDC trigger outputs.
- Three assignable voltage sense inputs.
- IR input for IR pass-through or control.
- Four addressable IR emitter ports are compatible with industry standard IR emitters and repeater systems.
- One addressable high IR output for connecting additional IR connecting block/emitters.
- All output ports incorporate both short-circuit and overload protection.
- Variable power on all IR output ports.
- Programmed using Integration Designer® software.
- Non-volatile Flash memory stores your system configuration even when power is not present.
- USB and Ethernet programming.

MRP-64 Multi-Room Control Processor

The MRP-64 embraces a new concept in distributed audio by acting as the interface between today's multi-zone audio/video receiver and an assortment of RTI in-wall and handheld controllers. Never before has such a robust distributed audio system been possible at such an affordable price. The MRP-64 allows the homeowner to take full advantage of the multi-zone features built into their surround receiver – expanding the entertainment beyond the media room. With the MRP-64 all of the audio/video sources from the media room can now be accessed anywhere in the home with the simple touch of a button.

Description

The MRP-64 is a powerhouse of control in a small package. Loaded with features, the MRP-64 has six keypad ports for RTI In-wall controllers, four independent IR output ports, three voltage trigger outputs, three voltage sense inputs and an IR signal input. The MRP-64 also comes equipped with advanced features such as an Ethernet port for control and programming, two-way RS-232 communication, support for Zigbee® wireless communication, and other expansion capabilities. An IR input insures compatibility with all RTI in-wall and handheld controllers as well as industry standard IR repeater systems. No special programming is necessary since the bi-directional RS-232 drivers are preprogrammed and developed as part of RTI's Integration Partner Program.

Call 952-253-3100

www.rticorp.com



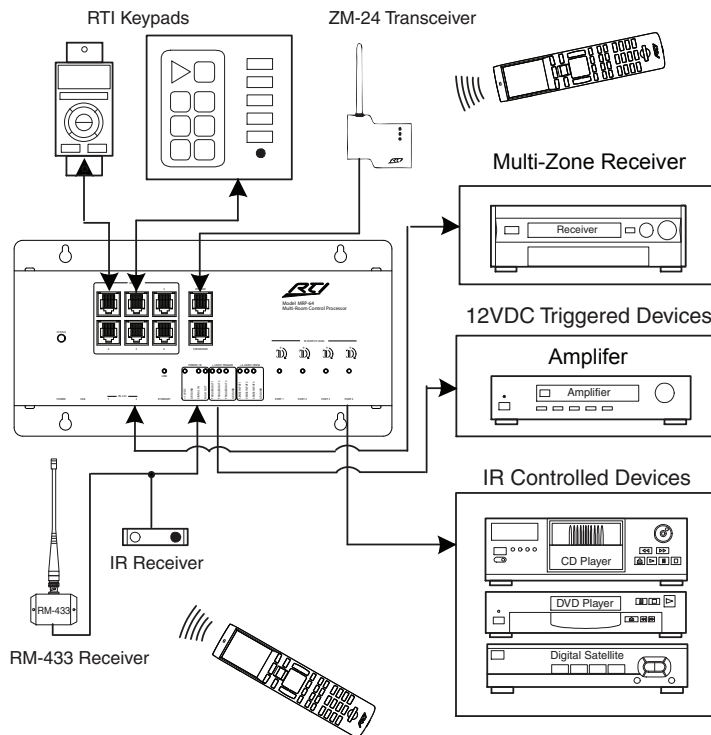
It's Under Control®

Specifications

Power Supply	+12V DC, 4A
IR Output Ports.....	Four 3.5mm jacks
.....	Compatible with industry standard IR emitters
IR Output Drive.....	100mA maximum (per port, adjustable)
.....	200mA maximum (high IR output port)
Infrared Frequency Transmission Range	15kHz - 460kHz
Infrared Input	Compatible with industry-standard repeaters and receivers
Trigger Outputs	Three, 12 VDC, 100mA max each
Sense Inputs.....	Three, 3-24VDC
RS-232 Ports	Two, Bi-directional RJ45 Connections
Ethernet Port	10/100Base-T, RJ45 Connection
USB Ports.....	1 Programming
Control Port	RS-485 / IR / Pwr, RJ45 Connection
RTI Com Port.....	Two-way Zigbee® Communication Port, RJ45 Connection
Keypad Ports	Six, RS-485 / IR/ Pwr
Mounting.....	Wall-mount or free standing
Dimensions (W x H x D)	8.2" (208mm) x 1.3" (33mm) x 5.2" (132mm)
Weight	2 lb. (907g)
Warranty	One Year (Parts & Labor)

All specifications subject to change without notice

Installation Diagram



Accessories

RM-433	RF Receiver
ZM-24	2.4GHz Zigbee® Transceiver Module
ECB-5	IR Emitter Connecting Block
CB-8	Touchpanel Connecting Block
RCM-12	Relay Control Module



Other RTI Products

T1-B	Universal System Controller
M2	Universal System Controller
T2-B	Universal System Controller
T2-Cs	Universal System Controller
T2-C	Universal System Controller
T3-V	Universal System Controller
T4	Universal System Controller
U1	Weather Resistant Controller
U2	Weather Resistant Controller
RKM-1	In-Wall Multi-room Audio Keypad
RK1	In-Wall Keypad Controller
RK2	In-Wall Touchscreen Controller
RK3-V	In-Wall Touchscreen Controller
K4	In-Wall Touchscreen Controller



Integration Designer® Programming Software

5775 12th Avenue East, Suite 180, Shakopee, MN 55379
 PH: (952) 253-3100 • Website: www.rticorp.com

RTI
 It's Under Control®