



Key Features

- Twelve individually addressable relays.
- Relays capable of switching up to 28VDC@5A.
- Discrete set of IR codes and an IR input allows relays to be triggered from virtually any IR programmable system.
- Relays can be used in a normally open or normally closed configuration.
- Relays create a "dry contact".
- Programmable momentary relay hold times.
- Adjustable device ID for installations that require more than twelve relays.
- Sturdy steel construction.
- 12VDC power supply included.

RCM-12 Relay Control Module

The RCM-12 Relay Control Module provides twelve addressable relays for controlling everything from amplifiers to window coverings. Adjustable device IDs allow easy expandability for larger projects. Using discrete infrared control, each relay can be triggered from RTI in-wall or handheld controllers, control processors or even third-party infrared repeater systems. Each relay can be used in a normally open or normally closed configuration.

Description

With twelve individually addressable relays and an adjustable device ID, the RCM-12 Relay Control Module is flexible and expandable enough to provide relay control for projects of any size. Each relay has a removable terminal block with connections for either a normally open or normally closed configuration.

An IR input allows the RCM-12 to be triggered from many different sources, including RTI in-wall or handheld controllers, control processors or third-party infrared repeater systems. IR commands trigger open and close functions as well as adjustable hold times for momentary relay operation.

Call 952-253-3100

www.rticorp.com



Specifications

Power Supply +12VDC, 1A

Infrared Input Compatible with industry-standard repeaters and receivers

Relays Twelve, 28 VDC@5A

Control Port RS-485*/IR/Pwr

Device IDs Ten, Rotary switch

Mounting Wall-mount or free standing

Dimensions (W x H x D) 8.25" (209mm) x 1.3" (33mm) x 5.2" (132mm)

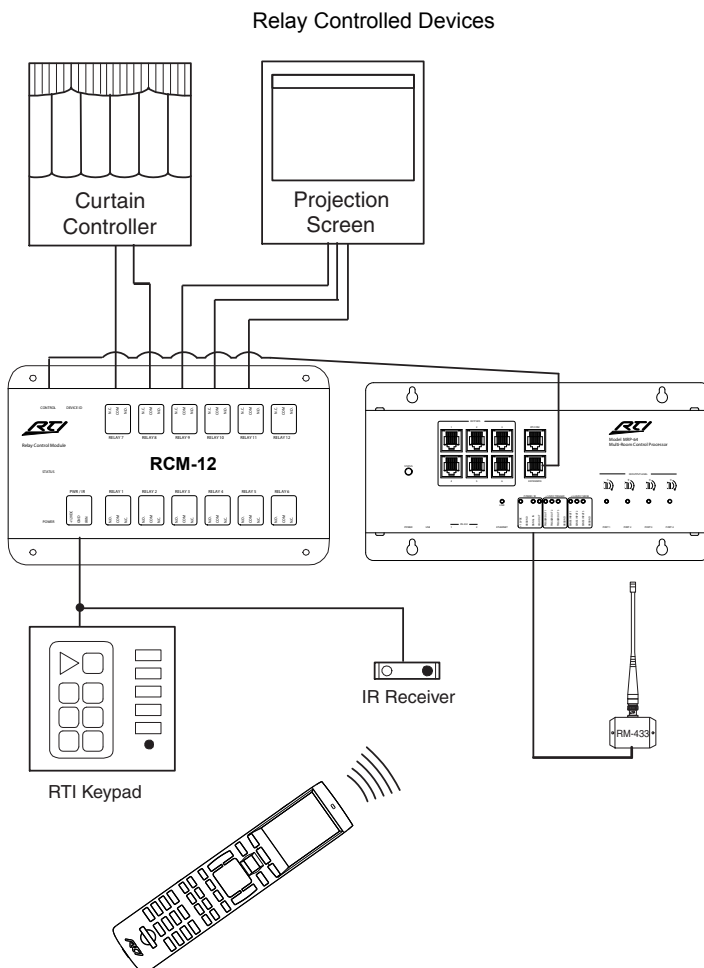
Weight 2 lb. (907g)

Warranty One Year (Parts & Labor)

* - RS-485 communication available on future models

All specifications subject to change without notice

Installation Diagram



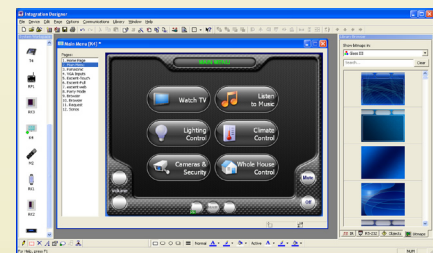
Processors / Accessories

RP-1	Remote Control Processor
ZRP-5	Remote Control Processor
ZRP-6	Remote Control Processor
MRP-64	Multi-Room Control Processor
XP-8	Advanced Control Processor
CB-8	Touchpanel Connecting Block
CPB-1	Control Port Connecting Block
ECB-5	IR Emitter Connecting Block



Other RTI Products

T1-B	Universal System Controller
M2	Universal System Controller
T2-B	Universal System Controller
T2-Cs	Universal System Controller
T2-C	Universal System Controller
T3-V	Universal System Controller
T4	Universal System Controller
U1	Weather Resistant Controller
U2	Weather Resistant Controller
RKM-1	In-Wall Multi-Room Audio Keypad
RK1	In-Wall Keypad Controller
RK2	In-Wall Touchscreen Controller
RK3-V	In-Wall Touchscreen Controller
K4	In-Wall Touchscreen Controller
IR-PRO	Infrared Capture System



Integration Designer® Programming Software

5775 12th Avenue East, Suite 180, Shakopee, MN 55379
 PH: (952) 253-3100 • Website: www.rticorp.com

RTI
 It's Under Control®